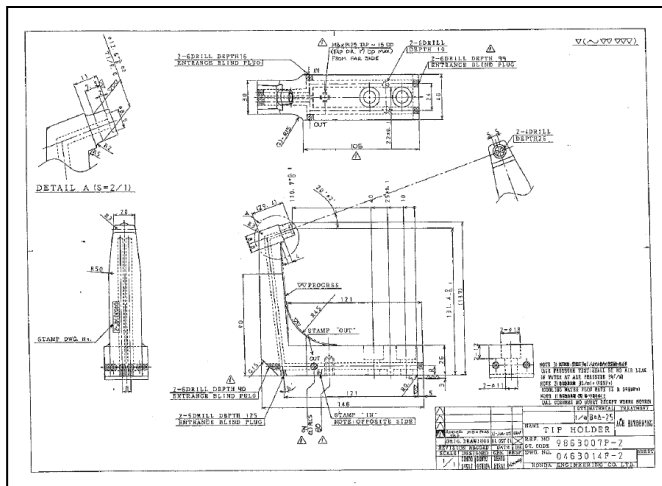
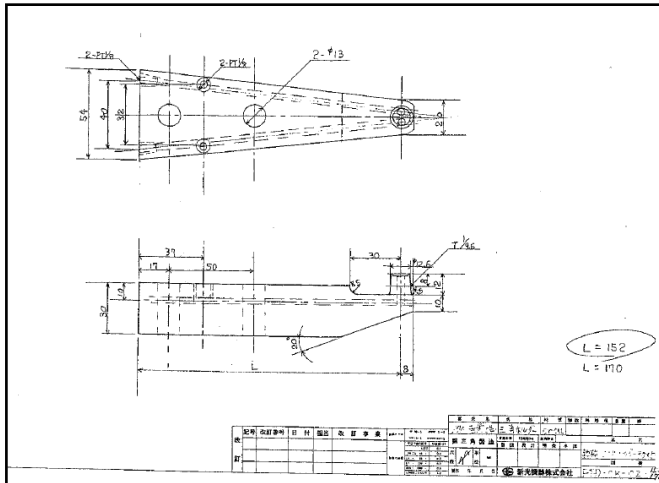


### Obara – Refurbished Weld Gun Arms

- Complete Teardown and Evaluation of all components
- Scope of work and failure analysis data recorded
- Bushings, bearings, pins, spacers, shunt straps repaired where possible or replaced with new
- Every repair comes with new water tubes, fittings and seals
- Cylinders are tested for tightness and cycles to ensure no leakage
- We can rebuild the weld arms when necessary (significant savings vs new)
- All parts are rebuilt back to OEM spec
- All pertinent parts are leak and flow tested



\*We also repair other OEM's including:  
Dengensha, Denyo Kogyo and Milco  
\*Repairs are less than half the cost of new